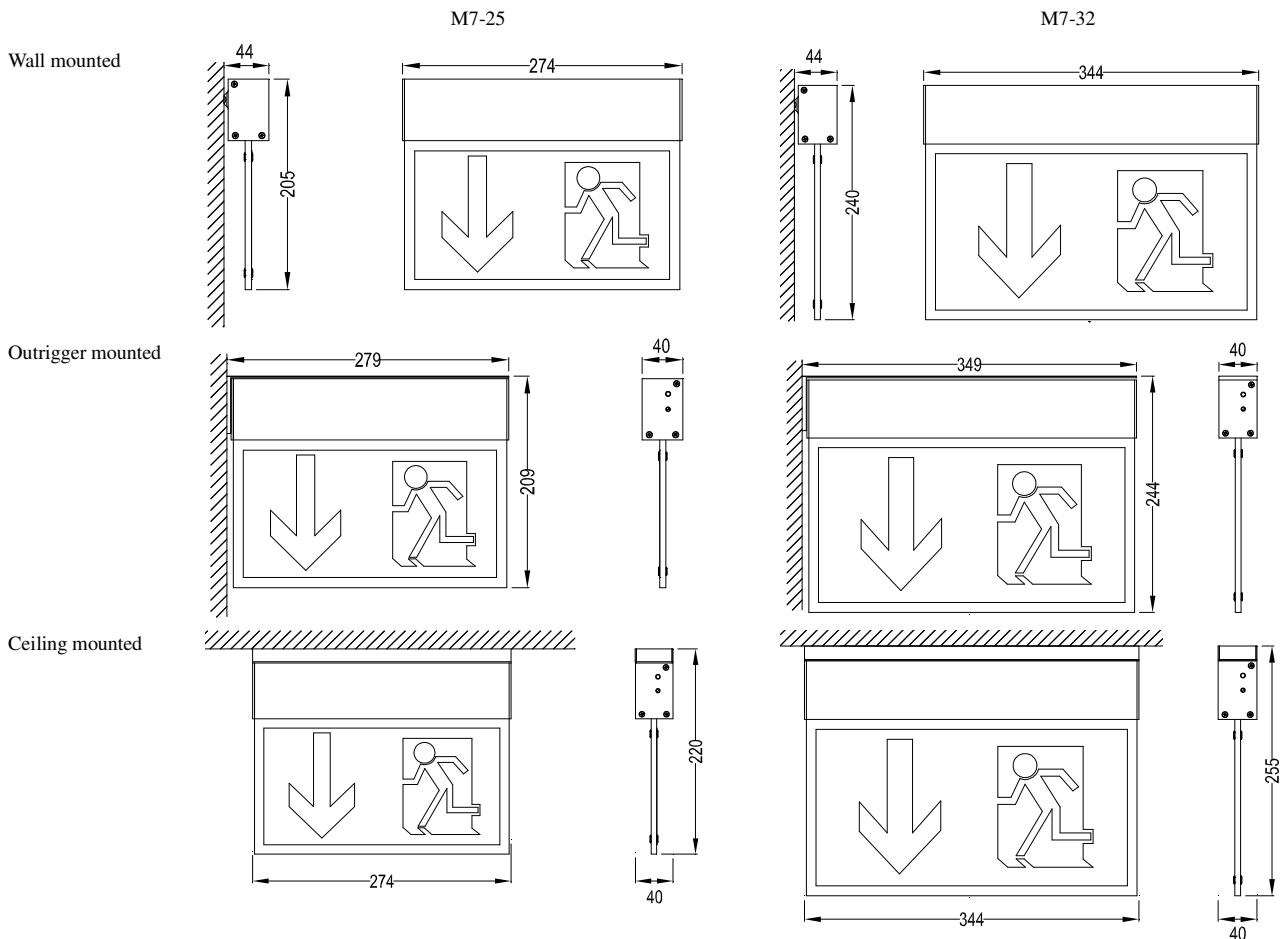


TECHNICAL SPECIFICATIONS

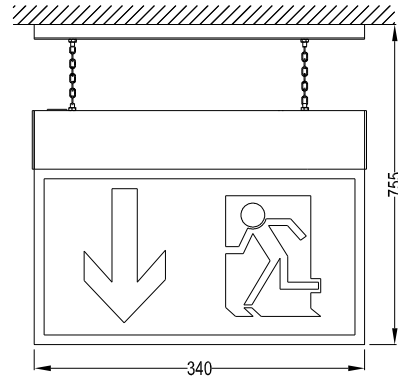
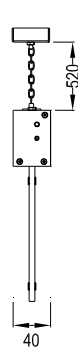
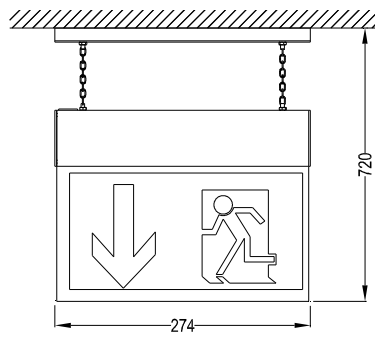
	OTHER MOUNTINGS	RECESSED CEILING MOUNTING
Case material	Aluminum	Metal
Case color	Silver (RAL 9006)	White (RAL 9010)
Panel material	Acrylic glass	
Viewing distance	25m (Model M7-25), 32m (Model M7-32)	
Emergency duration	3 h	
Lamp	LED	
Wattage (AC)	7W	
Voltage	230V 50Hz	
Protection category	IP 40	IP 20
Insulation class	I	
Battery	NiMH 4,8V 600mAh	
Permissible temp.	0°C - 45°C	

The M7 series can be supplied in following variations:

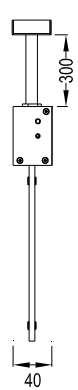
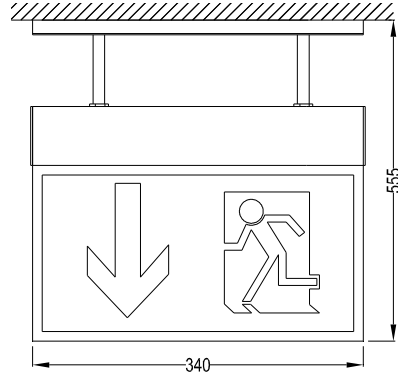
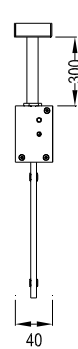
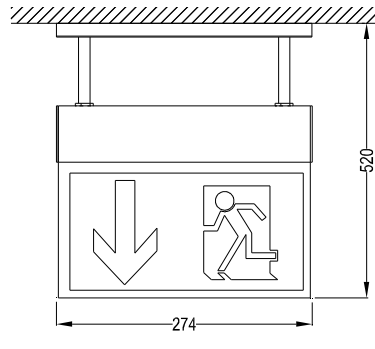
M7-25 wall mounted	Art. no.	M7.25.01	M7-32 wall mounted	Art. no.	M7.32.01
M7-25 outrigger mounted	Art. no.	M7.25.02	M7-32 outrigger mounted	Art. no.	M7.32.02
M7-25 ceiling mounted	Art. no.	M7.25.03	M7-32 ceiling mounted	Art. no.	M7.32.03
M7-25 chain mounted	Art. no.	M7.25.04	M7-32 chain mounted	Art. no.	M7.32.04
M7-25 pendulum mounted	Art. no.	M7.25.05	M7-32 pendulum mounted	Art. no.	M7.32.05
M7-25 recessed ceiling mounted	Art. no.	M7.25.06	M7-32 recessed ceiling mounted	Art. no.	M7.32.06



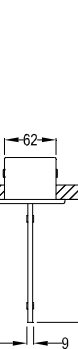
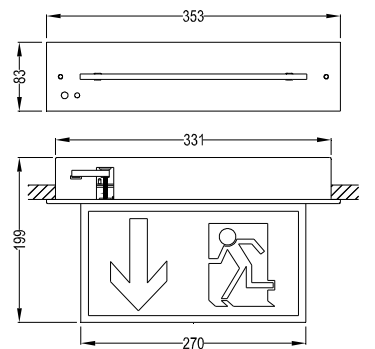
Chain mounted



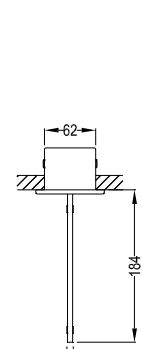
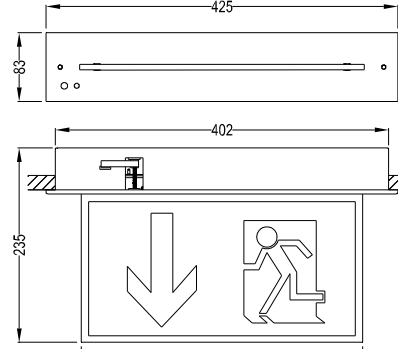
Pendulum mounted



Recessed ceiling mounted



ceiling cut-out: 335 x 65mm



ceiling cut-out: 405 x 65mm

INSTALLATION



CAUTION: Work on the 230V mains circuit to be carried out by authorized electricians only, observing national installation regulations. Before installing the product, switch off the mains supply.

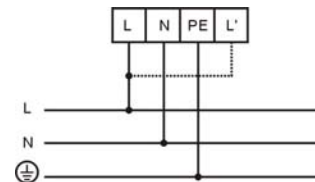
Opening and closing of the light



Electrical connection

Maintained: L', L and N

Non-maintained: L and N



Wall mounted



Outrigger mounted



Ceiling mounted



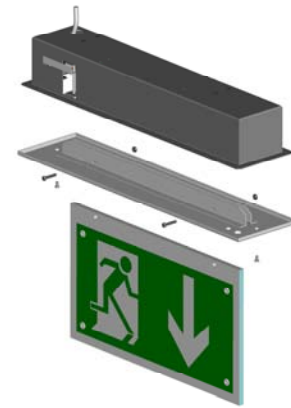
Chain mounted



Pendulum mounted



Recessed ceiling mounted



NOTE: Write installation date on the battery's label. The light is supplied with discharged battery and must be connected to the mains for at least 20 h so that the battery can be charged to its working capacity.

AUTOMATIC TEST SYSTEM (ATS)








20 h after applying mains voltage a **functional test** is automatically run (30 sec., items checked: changeover and lamp).

After a further 4 h, an automatic 3 h **duration test** is run. (If the test button is pressed for 5 sec. before the duration test has ended, the operation duration test is aborted.)

Following the first duration test, regardless of whether or not this was passed, the weekly cycle of functional test and yearly cycle of duration test are automatically started.

Test button	Green LED	Status
Press for about 1 s	OFF	Emergency mode for 1 second
Press for about 3 s	Blinking	Functional test for 30 seconds.
Press for about 5 s	Flashing	Duration test
Press again for about 5 s		Interruption of duration test

Meaning of the indicator LED

 Mains operation No fault	 Duration test failed
 Blinking Functional test	 Blinking Lamp / changeover fault
 Flashing Duration test	 Flashing Battery / charging fault
 Mains failure + Emergency light operation	

The status display can only be cleared after the fault has been rectified, mains voltage has been reapplied and a functional test has been run.

CHANGING THE RECHARGEABLE BATTERY

If the emergency duration is less than 120 min., the rechargeable battery has to be replaced. Use only original batteries from the manufacturer. Write the installation date on the new battery.

Leverbaar bij:

DDS BV, VOCtronics BV en Installatie techniek Zevenbergen www.ITZ.nl