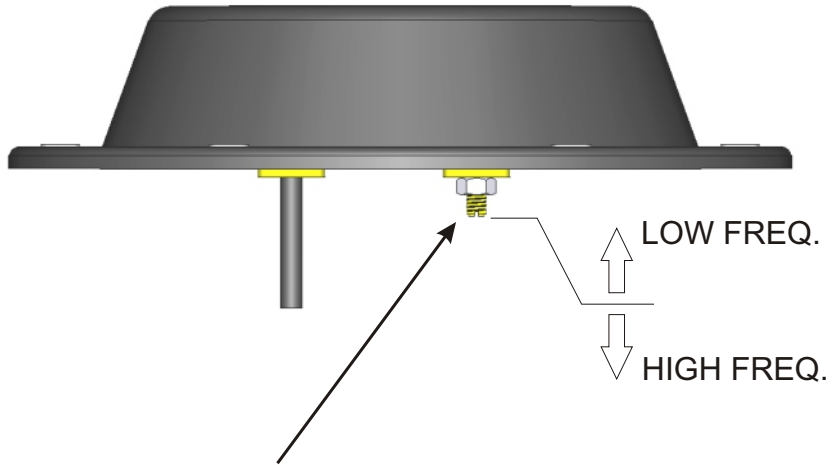


Low Profile Antennas

2 dBi UHF Mobile Antenna 380...470 MHz



- Connect your SWR-meter between the antenna connector and the transceiver
- Turn the screw to select the desired resonant frequency
- Lock the screw with the exagonal nut



- Fix the template on the portion of surface (flat and centered on the vehicle) closed to apply the antenna.
- Drill holes like indicated .

